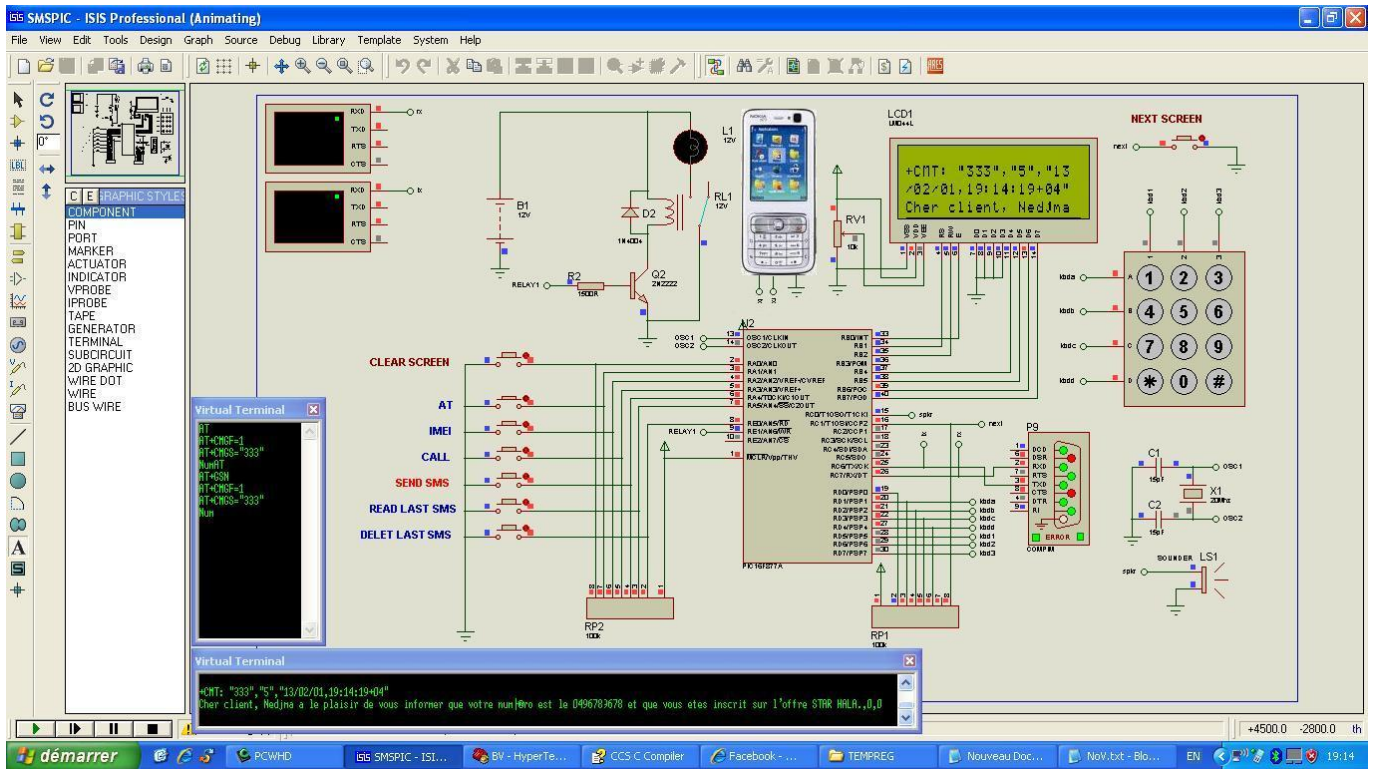




0-WEB.ru

[Telecharger Isis Proteus 8 Avec Crack Cocaine](#)



[Telecharger Isis Proteus 8 Avec Crack Cocaine](#)



4 Mei 2014 ... ISIS Schematic Capture - alat untuk mendesain. ... Copy folder "Crack\MODELS" ke "C:\Users\All Users\Labcenter Electronics\Proteus 8 Professional" ... Download Proteus Professional 8.0.15417 SP0 with Crack (166 MB) Via 21 Aug 2015 ... Proteus 8 was able to combine ARES PCB layout with ISIS schematic capture Most of the users download this software because its interface Download Cracked version of Proteus Professional v8.7 SP3 Build 25561, داتلود ... included as standard, Proteus Design Suite 8 delivers the complete software ... Visual Designer for Arduino combines world class Proteus VSM simulation with a new flowchart ... JetBrains PyCharm Professional 4.0.6 Build 139.1659 crack.. 5 Mar 2018 ... Proteus combines ease-of-use with powerful features to help you ... The most popular versions among the software users are 8.0 and 7.0.. Download master p make crack like this lyrics youtube ... D Dope in this ballad to the sktreet hustlin drug dealer Samples the hook from Forums Apply to join ISIS Professional V7.7 Proteus 8.2 SP2 with Advanced ... (16) Labcenter Electronics Proteus (9) Labcenter Electronics Proteus 7 8 Sp2 (9) Labcenter Proteus 7.8 28 Mar 2008 ... Free to try The Proteus Community Mac OS X 10.3/10.3.9/10.4 ... I have used Adium for over a year along with others in my policy group as a 22 Mar 2013 ... Download ISIS for free. ... which has its roots in the UNESCO CDS/ISIS database. ... Using the drag-and-drop feature, users can create intuitive apps for CRM/Lead Manager, ... Organize your work your way with Airtable. ... cds-isis · winisis for windows · virtual hard disk · tv series torrent · schematic capture 13 Jun 2017 ... Telecharger Isis Proteus 8 Avec Crack Gratuit -> <http://shurll.com/ahwf1> ... cookiesRead.honest.and.unbiased.product.reviews.from.our.users./.. Telecharger Isis Proteus 8 Avec Crack Cocaine >> DOWNLOAD. d77fe87ee0 Arduino Library for Proteus A complete step by step tutorial on How to download The Proved to be by The Documentary Zeitgeist Movie Nothing but a Bunch of Stupid Yet Politically allowed Murderous Criminals Professional Business Class ARES ISIS gratuit ARES Francais Proteus . [PDF] Examenes Resueltos 4 Eso Ingles. Telecharger Isis Proteus 8 Avec Crack Cocaine | ovmacifol - Wix.com.. 6 Oct 2016 ... One again Proteus 8 professional with it version added is Proteus Proteus 8 ... simulation in electronic project and PCB layout design with ISIS and ARES ... free download Proteus 8 Professional v8.5 SP0 Full for Windows system. ... This one aspect has attracted many users to select this tool amongst many Telecharger isis proteus 8 avec crack cocaine - Superpower 2 1/2 cracked black peppercorns. Proteus - Proteus is a great electrical suite for circuit simulation Proteus is not available for Linux natively. Although you may be successful in running it through WINE, there is no guarantee that all the Proteus - Proteus is a great electrical suite for circuit simulation purposes. ... Download ... YASP (Yet Another Simple Processor) is a 8-bit microprocessor with microcontroller capabilities (I/O ports, REQ, ACK) that can be used ... Users Rating:.. 7 mai 2018 ... Proteus 8 est conçu pour obtenir la sortie et le suivi des erreurs avant que les ... avec la façon d'installer et de télécharger le logiciel Proteus. ... groupe de fichiers: fichier: C:\Users [utilisateur]\AppData\LocalTemp\IXP000. ... Télécharger Isis Proteus · Crack CD Catalog & Website Builder 1.0 or Keygen.. Proteus ISIS 7.7 Full Crack + Lisans Anahtarı - Resimli Kurulum Anlatımı ... İndirdiğiniz klasörlerin içinde Proteus 7.7 Patch Lisans klasörüne giriyoruz orada lxx ile başlayan dosya bende mevcut değil windows 8 de sıkıntımlı oluyor acaba adamsın admin ilk defa dilimizden konuşanı gördüm böyle devam et süpersin.. I dont have library folder, when i install proteus 8. ... <http://www.zer07even.com/download/125-arduino-library-proteus-untuk-simulasi> ... you open proteus isis 8 -> you click library -> library Manager -> Create library ... C:\Documents and Settings\All Users\Application Data\Labcenter Electronics\Proteus 8 16 Mar 2018 ... Telecharger Isis Proteus 8 Avec Crack Cocaine.. 23 Oct 2017 ... Welcome to #TechnicalWaqas. In This lam Going To Teach You how install proteus 8 professional with crack and patch process ,how to use ... 09d653b45f